



- 1
- 2
- 3
- 4
- 5
- 6
- 7
- 8
- 9
- 10
- 11
- 12
- 13
- 14
- 15
- 16
- 17
- 18
- 19

**MATERIAL**

AISI 304 stainless steel, sandblasted matte (**GS**) or electropolished (**EP**) finish.

**PACKING RING**

In black synthetic NBR rubber or blue silicone, suitable for contact with food FDA-compliant (U.S. Food and Drug Administration), attached to the handle body.

**SCREWS (ONLY FOR GN 7332-A-2)**

AISI 304 stainless steel with countersunk flat head, with polyamide coating in the underhead.

**IP PROTECTION**

Degree of protection IP 66 in accordance with EN 60529 table (on page A-19).  
(only for executions with packing ring).

**STANDARD EXECUTIONS**

Front mounting by means of pass-through holes for M5 countersunk flat head screws:

- **GN 7332-A-1**: without gasket and screws.
- **GN 7332-A-2**: with packing ring NBR, black colour and and 4 M5 AISI 304 stainless steel screws.

Rear mounting by means of 4 M5 screws welded to the handle body:

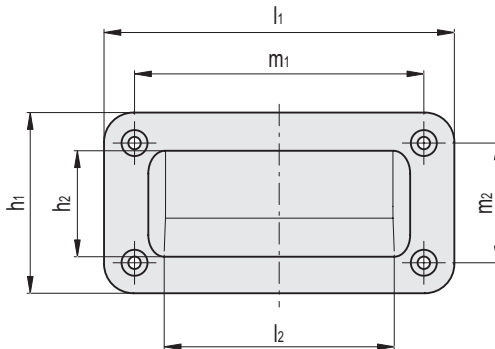
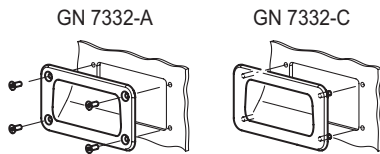
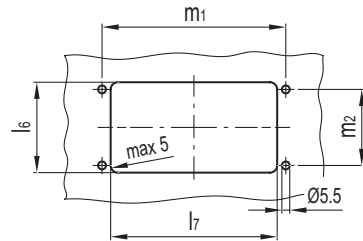
- **GN 7332-C-1**: without gasket.
- **GN 7332-C-2**: with packing ring NBR, black colour.
- **GN 7332-C-3**: with silicone packing ring, blue.

**ASSEMBLY INSTRUCTIONS**

Drill the handle housing according to the template dimensions.

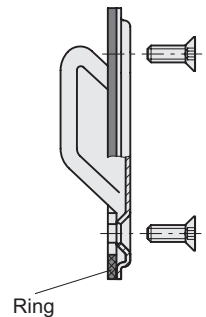
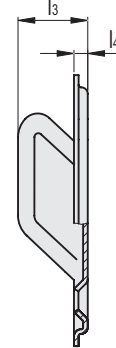
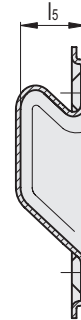


**Drilling template**



**GN 7332-A-1**

**GN 7332-A-2**



Conversion Table	
1 mm = 0.039 inch	
mm	inch
155	6.05

**GN 7332-A-1**

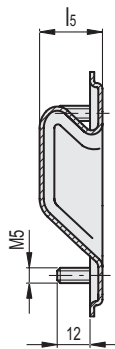
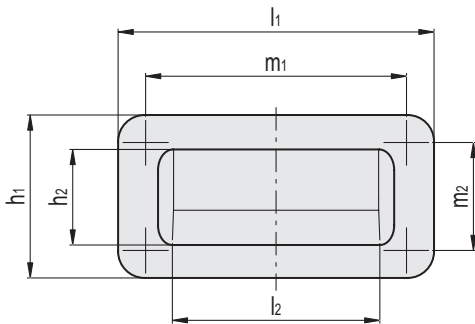


Code	Description	l1	l2	l3	l4	l5	l6 + 1	l7 + 1	h1	h2	m1	m2	Δ
GN.29235	GN 7332-155-A-1-GS	155	109	20	3.5	19.2	60	115	80	42	128	53	92
GN.29281	GN 7332-155-A-1-EP	155	109	20	3.5	19.2	60	115	80	42	128	53	92

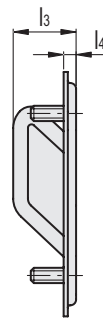
**GN 7332-A-2**



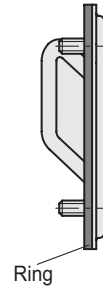
Code	Description	l1	l2	l3	l4	l5	l6 + 1	l7 + 1	h1	h2	m1	m2	Δ
GN.29236	GN 7332-155-A-2-GS	155	109	20	3.5	19.2	60	115	80	42	128	53	104
GN.29282	GN 7332-155-A-2-EP	155	109	20	3.5	19.2	60	115	80	42	128	53	104



GN 7332-C-1



GN 7332-C-2  
GN 7332-C-3



Conversion Table	
1 mm = 0.039 inch	
mm	inch
155	6.05

GN 7332-C-1

INOX STAINLESS STEEL METRIC

Code	Description	l1	l2	l3	l4	l5	l6 +1	l7 +1	h1	h2	m1	m2	⚖
GN.29237	GN 7332-155-C-1-GS	155	109	20	3.5	19.2	60	115	80	42	128	53	97
GN.29283	GN 7332-155-C-1-EP	155	109	20	3.5	19.2	60	115	80	42	128	53	97

GN 7332-C-2

INOX STAINLESS STEEL METRIC

Code	Description	l1	l2	l3	l4	l5	l6 +1	l7 +1	h1	h2	m1	m2	⚖
GN.29238	GN 7332-155-C-2-GS	155	109	20	3.5	19.2	60	115	80	42	128	53	107
GN.29284	GN 7332-155-C-2-EP	155	109	20	3.5	19.2	60	115	80	42	128	53	107

GN 7332-C-3

INOX STAINLESS STEEL METRIC

Code	Description	l1	l2	l3	l4	l5	l6 +1	l7 +1	h1	h2	m1	m2	⚖
GN.29239	GN 7332-155-C-3-GS	155	109	20	3.5	19.2	60	115	80	42	128	53	109
GN.29285	GN 7332-155-C-3-EP	155	109	20	3.5	19.2	60	115	80	42	128	53	109